

Sun Tracking solar pole mounts

SPT - Single Panel Tracker mount



ATR is now offering our tracking mount as a stand alone product to solar installers and do-it-yourselfers who can attach their own solar panels and grid tied inverter configurations. The tracker mount has all of the same patent pending features as the ATR SPT-1010 pole mounted tracker and incorporates the same advanced sun tracking controller that reaches new levels of efficiencies and reliability. Super capacitors, intelligent motion control, and automotive actuators provide reliable sun tracking performance that can increase the energy yield 26% to 30%!

Designed to be installed efficiently and to withstand rigorous operation conditions, this tracker offers unparalleled convenience to configure pole mounted solar collectors to meet a variety of end user requirements.

A configured system can contribute to LEED points
Operate as an "off-grid" or "grid-tied" energy producer
Eligible for American Recovery and Reinvestment Act (ARRA) energy projects



**Trackers make
More Power !**

Standard tracker features:

- Robust microprocessor control system
- Integrated GPS receiver
- Automatic location and configuration
- Self initialization upon daily power up
- Capacitor energy storage for controller
- No Batteries used
- Powder coat finish (architectural colors available)

Distributed Power Generation Made Easy

- Easy installation to existing poles
- Round, Square, or wooden pole compatibility
- Mounting hardware available separately
- "MC4 or TYCO connectors"

Perfect For:

- ✓ Commercial Solar Installers
- ✓ Do-It-Yourself applications
- ✓ Wooden Utility poles
- ✓ Fence and Deck Posts
- ✓ Farm Applications

SPT-1010-MO

Solar Pole mount Trackers

(Mount Only with tracker control and drive unit)



Available Options

Pole Mount Brackets

Round pole - 4", 5", 6" diameter

Square pole - 4", 5", 6" sides

½" Bolts for wooden poles

Hardware kit – grounding, inverter and panel mount hardware

Electrical Characteristics

Panel Compatibility

Panel Voltage(s)

7 - 60 VDC

Panel Connector type

TYCO or MC4

Control System

Night time power consumption

None

Daytime Power consumption (average)

< 1 Watt

Fail-Safe positioning

due south position

Mechanical Characteristics of the mount

Dimensions (assembled)

36"h x 30"w x 40"deep

Weight

75 lbf

Max wind speed

90 Mph

Operating Conditions

-40F to 120F

Installation Orientation

Lower arm points South

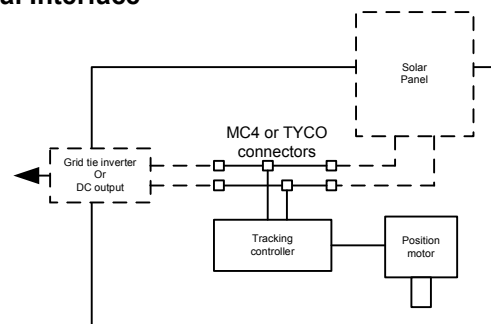
Tracking Arc

+/- 70 deg from due South

Warranty

5 yr limited warranty on defects in materials and workmanship

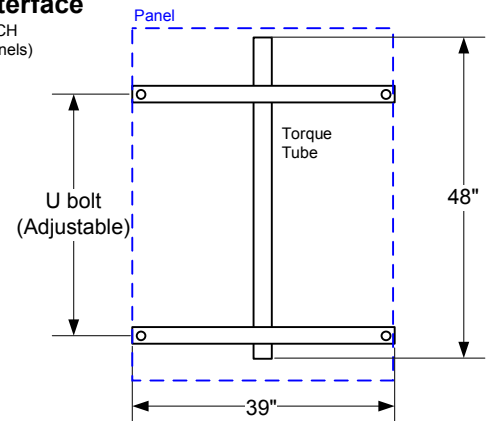
Electrical Interface



Pole Mount

Solar Panel Interface

(factory drilled for MOTECH and SHARP 235 watt panels)



Cross members can be repositioned to accommodate hole spacing of other panel manufacturers. Custom length cross members available at nominal charge

Design and specifications are subject to change without notice. ATR is a registered trademark of Advanced Technology and Research corp. All other trademarks are the property of their respective owners. Contact ATR to obtain the latest product manuals before using any ATR device.



Energy Systems

Advanced Technology and Research Corporation

6650 Eli Whitney Drive – Suite 400

Columbia, MD. 21046

www.atrsolartech.com

443-766-7888

Local Distribution By:

Proudly made in the USA



PATENT PENDING